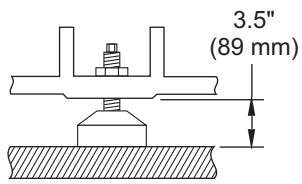
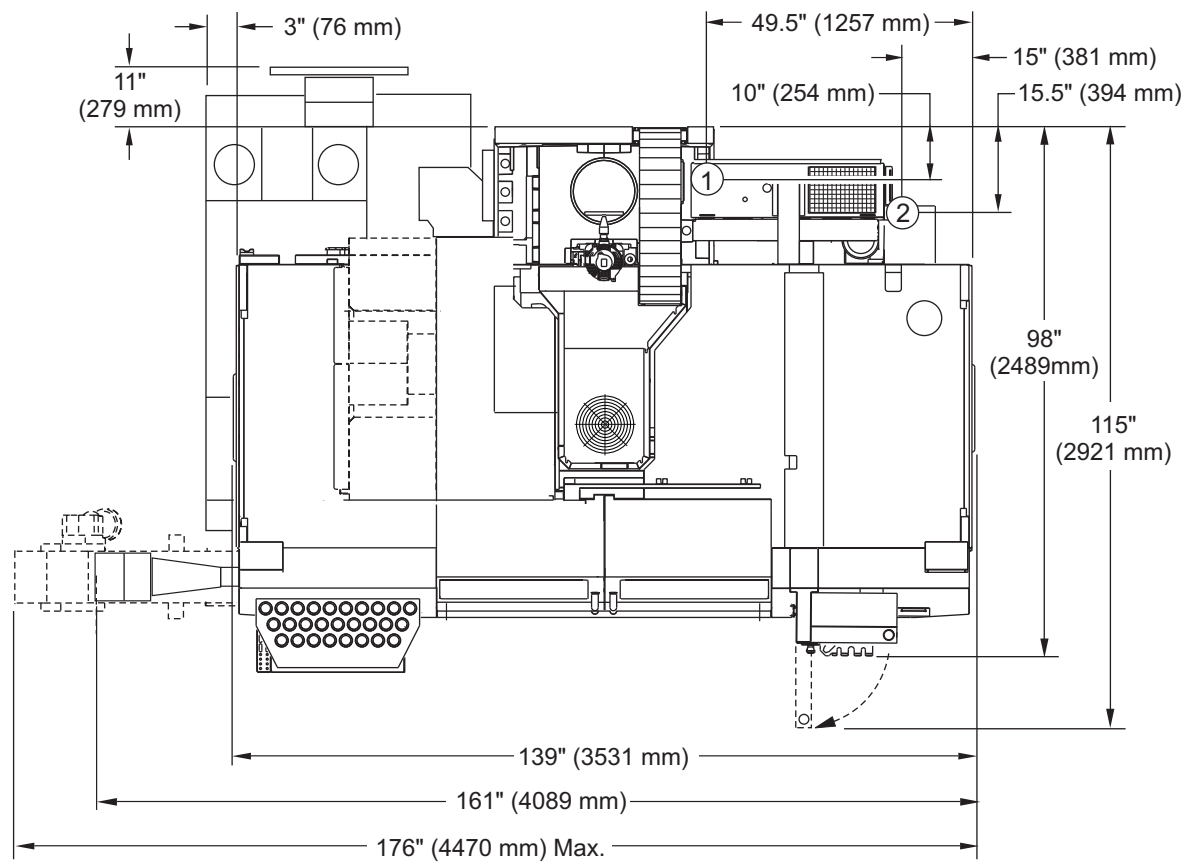


Note:
Foundation must extend at least 1 ft. (305 mm) from bored holes.

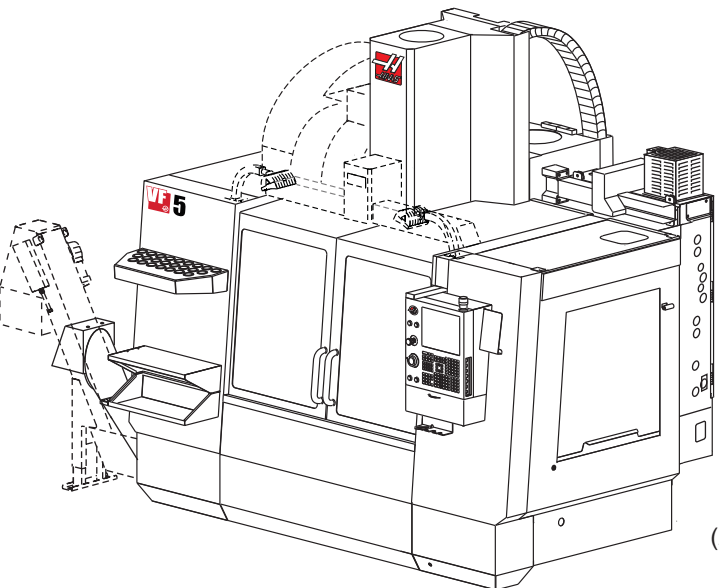
VF-5 Anchor Pattern



Leveling Pad Pin Dimension

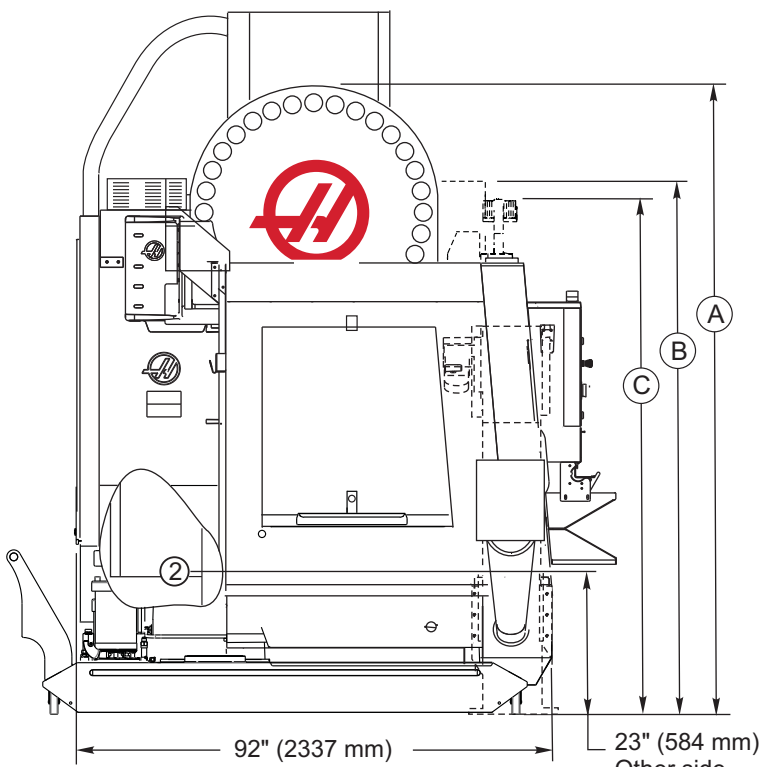
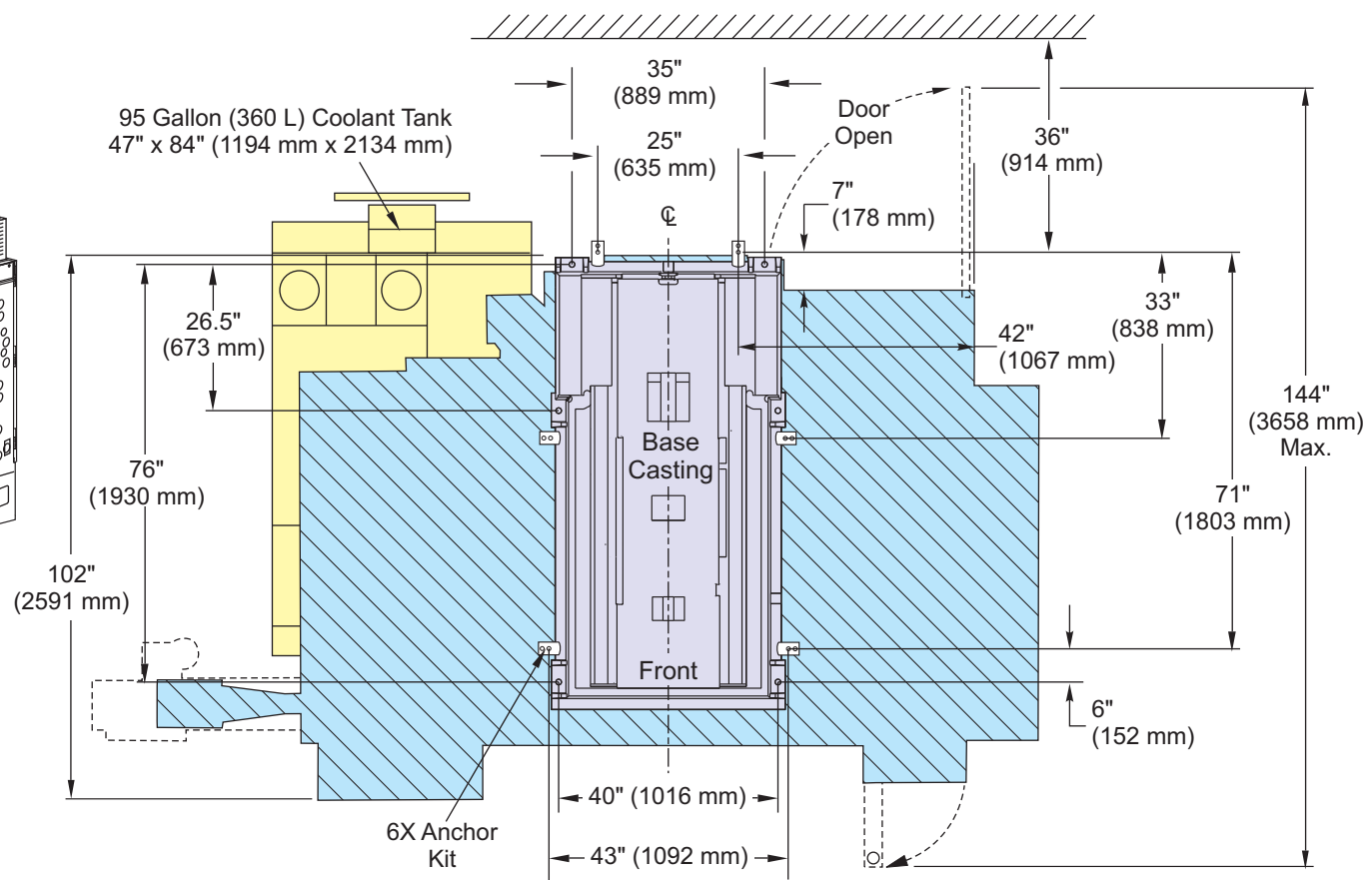


- ① Electrical Connection
- ② Air Connection

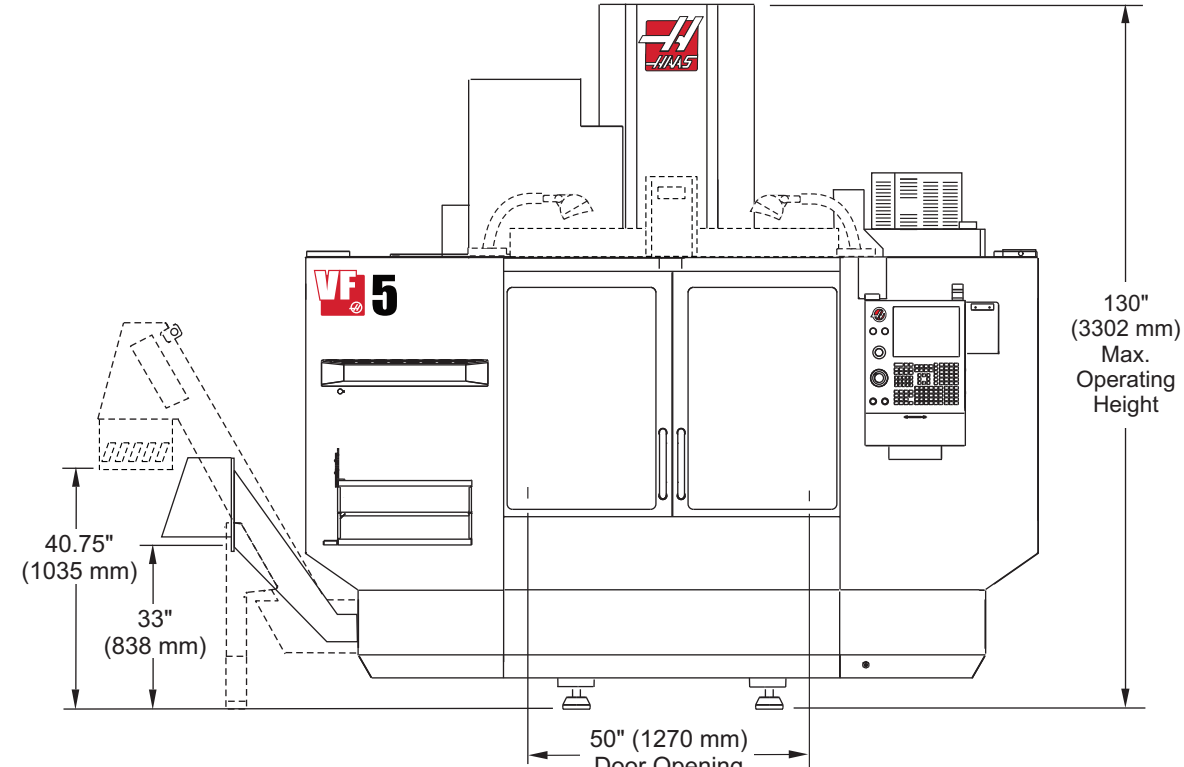


Standard: 30+1 Side Mount Tool Changer
Option: None

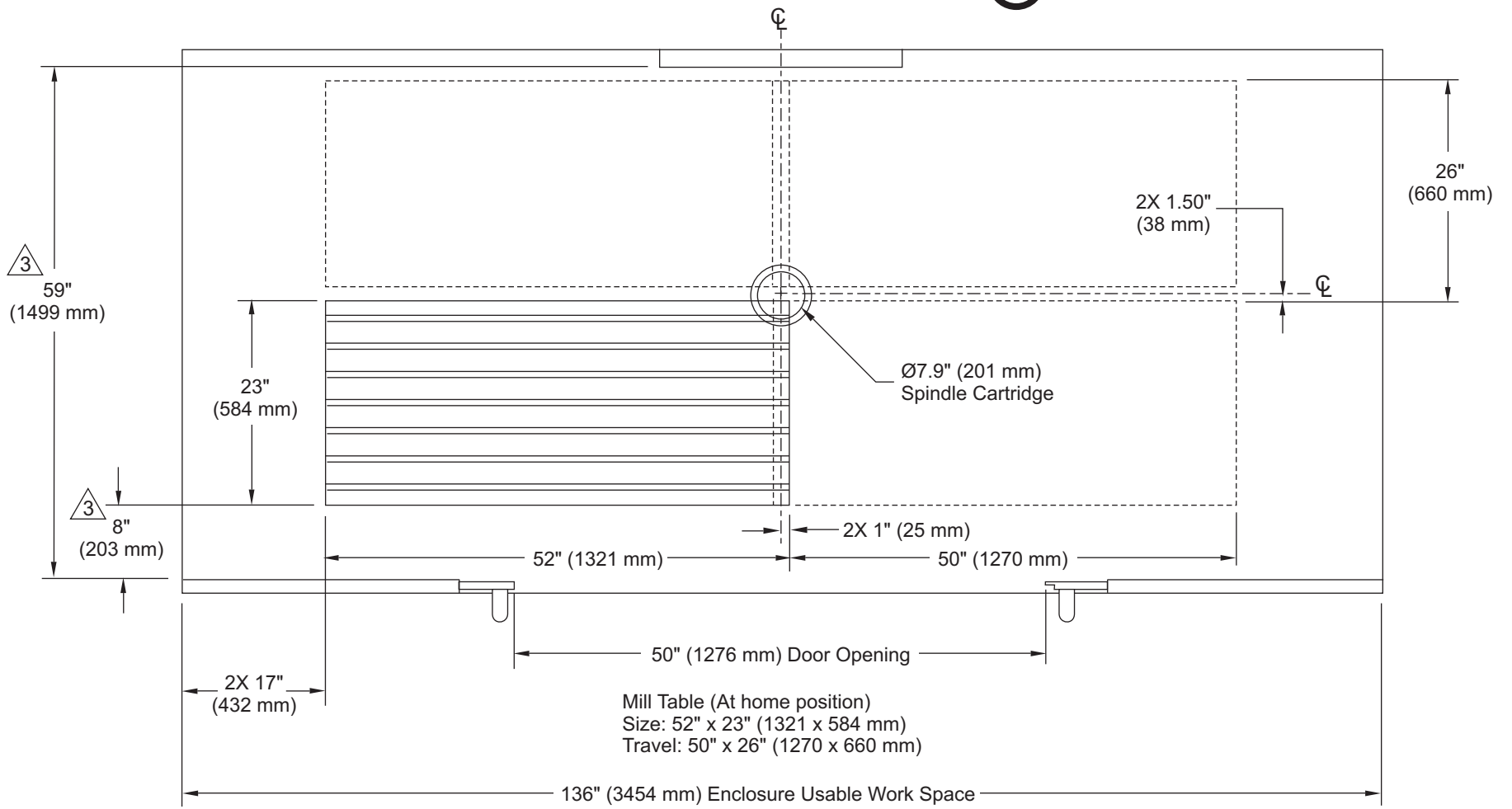
Reference ES0039
Machine Clearance Heights



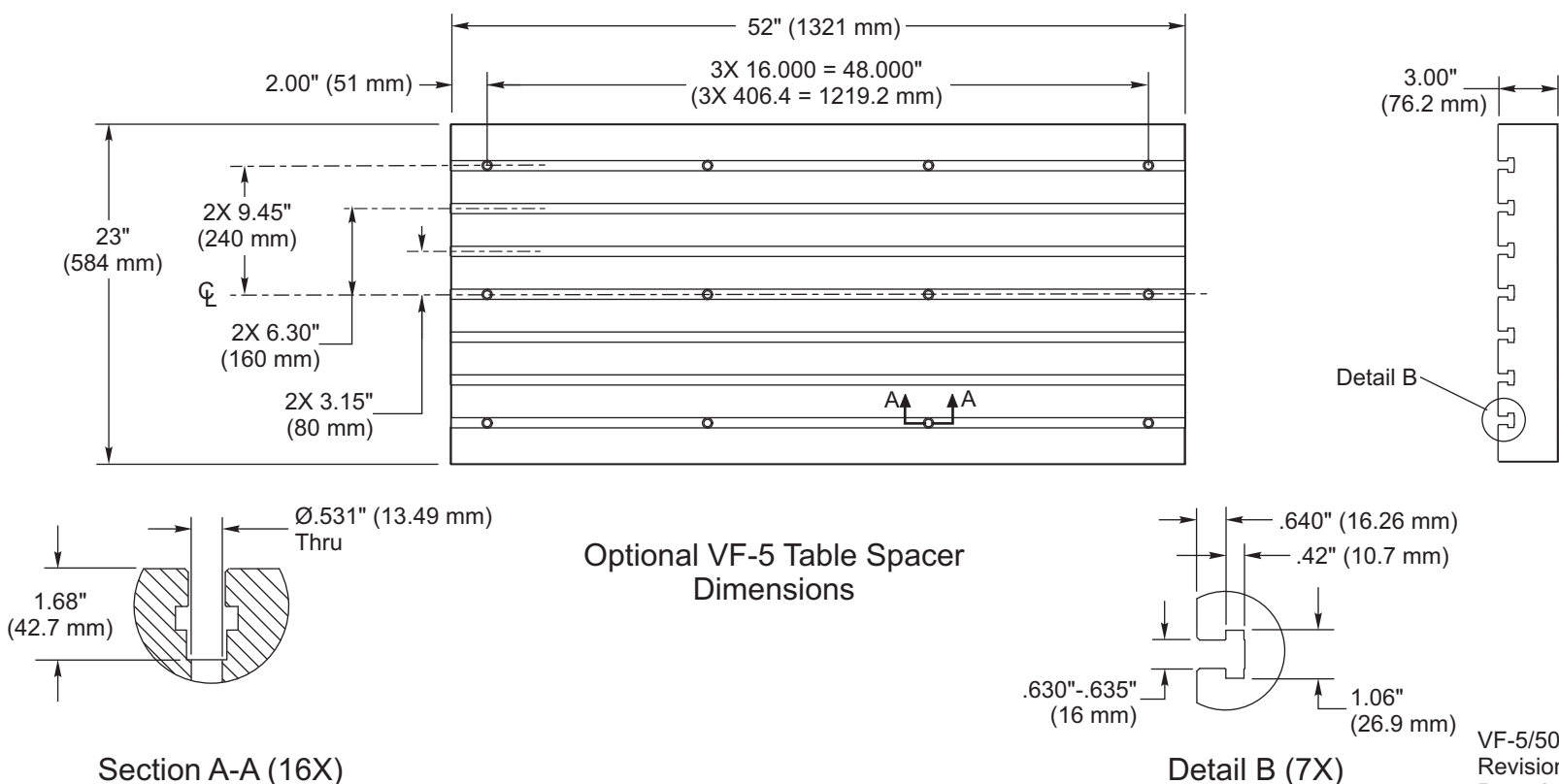
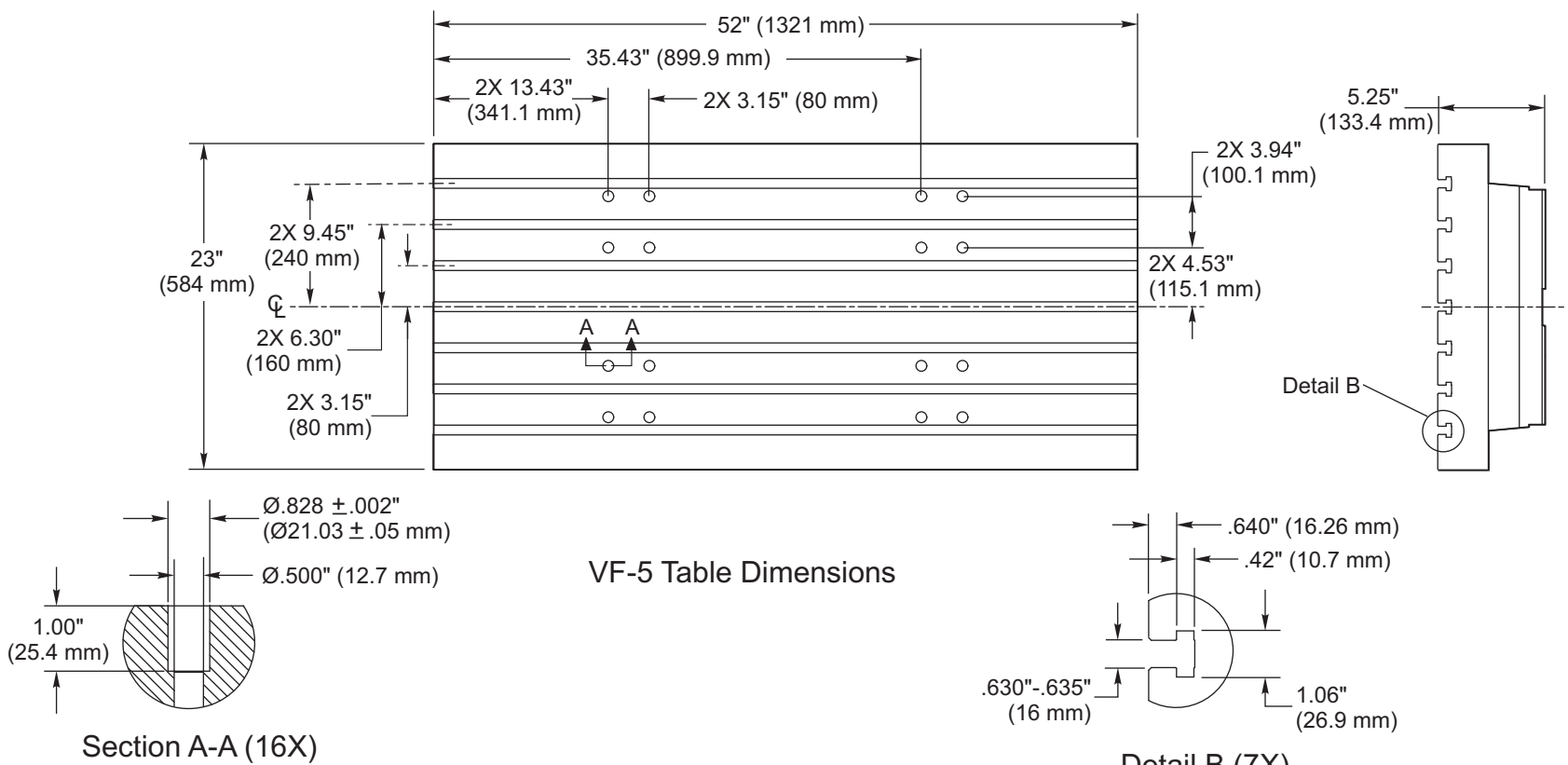
- A 117" (2972 mm) SMTC 30
- B 95" (2413 mm) Auto Door Optional
- C 92" (2337 mm) High Intensity Lights Optional



Option: Multi-Auger Chip Conveyor
Minimum distance required to remove conveyor from mill 85" (2159 mm).
Minimum distance required to remove conveyor from mill 50" (1270 mm) when conveyor is folded at 90 degrees and folded down as it is pulled out.



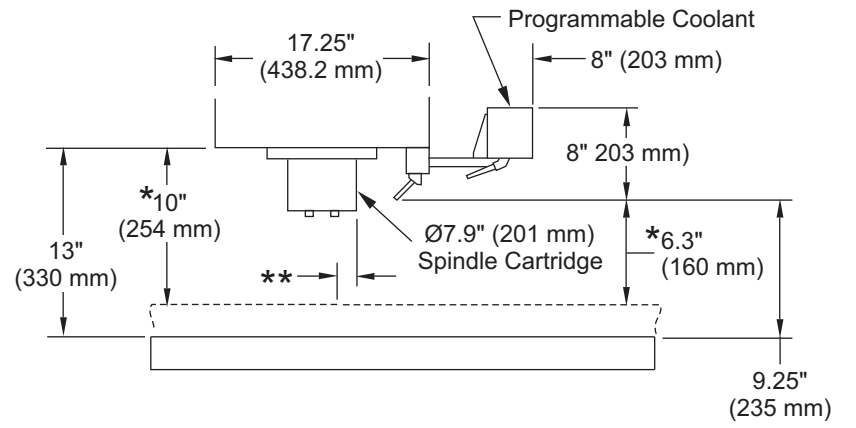
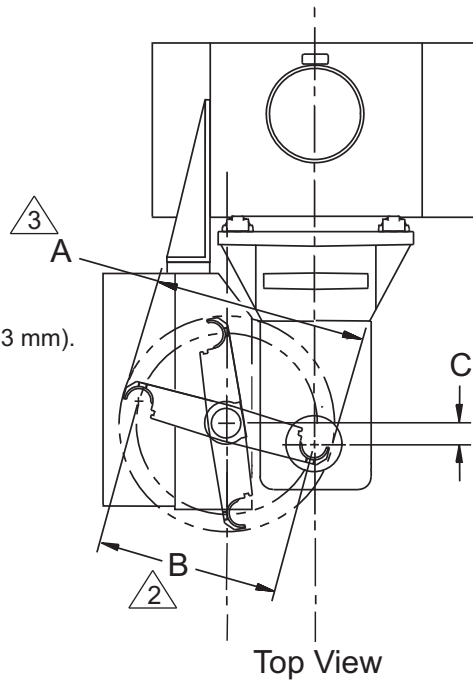
- Notes: 1. Table position(s) at max X and Y travels.
2. Measurements are from the edge of the mill table to nearest obstruction (ie, enclosure, way cover, doors, etc.).
3. Dimensions are reduced as height above table increases; ie, front of enclosure is sloped 5 degrees inward from bottom to top. Dimensions shown are at table top height.



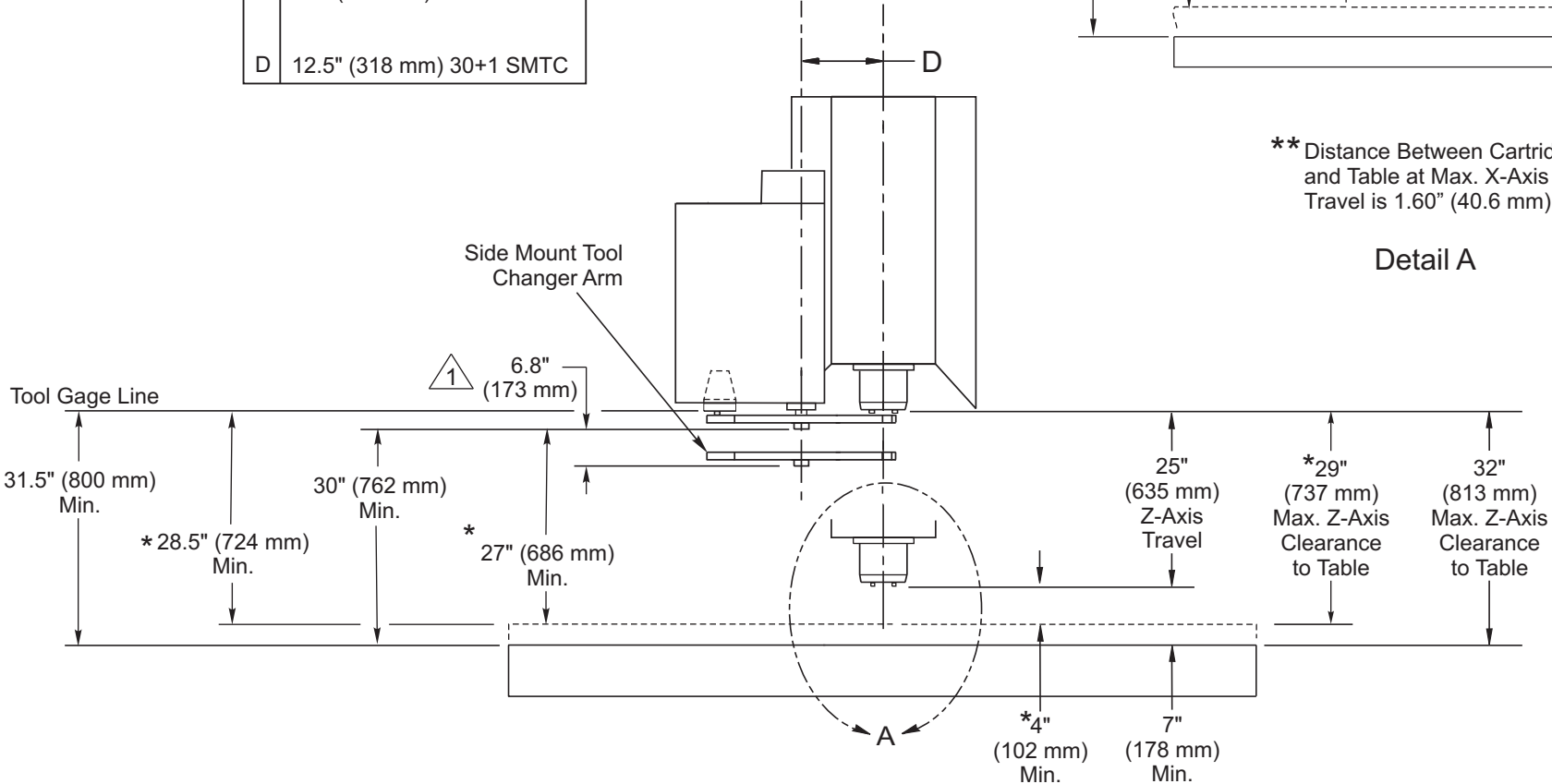


- 1. Double Arm drops down 6.8" (173 mm).
- 2. Double Arm swing diameter.
- 3. Overall length of arm.

A	32.6" (828 mm) 30+1 SMTC
B	27.0" (686 mm) 30+1 SMTC
C	5.0" (127 mm) 30+1 SMTC
D	12.5" (318 mm) 30+1 SMTC



** Distance Between Cartridge and Table at Max. X-Axis Travel is 1.60" (40.6 mm)



50 Taper 30+1 Side Mount Tool Changer
Double Arm Work Envelope

* Table Spacer Optional

